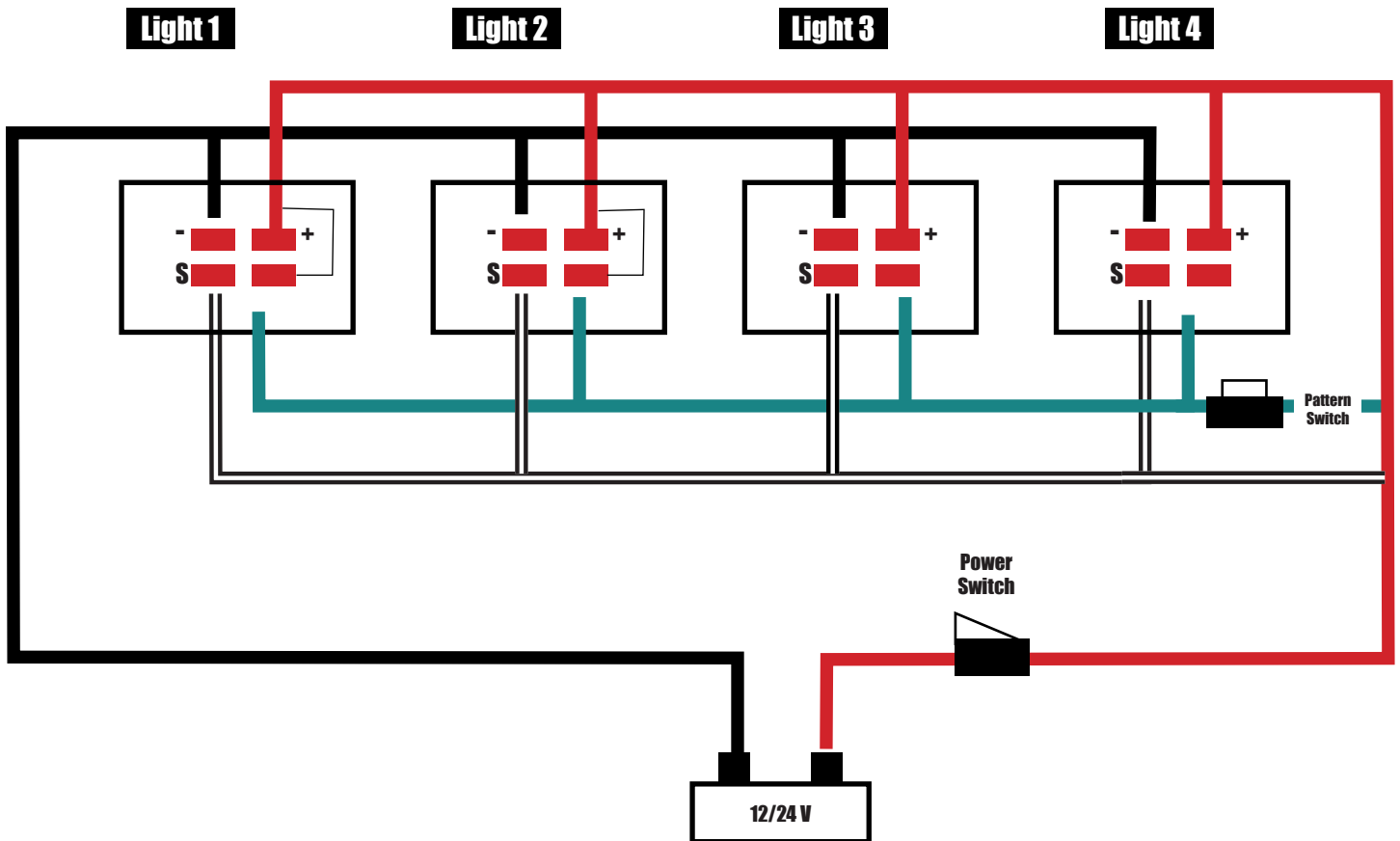


# Alternate 4 Wire Synch Wiring Diagram

**CA 7082A**

Red: Anode , Live, Power  
 Green: Changing Flash Patterns  
 White: Synchronisation  
 Black : Earth, Negative Pole



## Sync Settings:

1. Connect all the positive (Red) wires of all lamps, connect all the negative (Black) wires of all lamps, connect all the sync wires of all lamps.
2. Connect the positive wires (Red) and negative (Black) wires of one lamp to the power supply , connect the sync (White) wire with the positive wire after 2.5 seconds, then all the lamp will back to the first flash pattern. Then all the lamp will be synced.
3. Connect the synchronisation (White) wire to the power wire after 0.5 seconds, all the lamp will change and keep synchronisation

**Disclaimer: This diagram is to be used as a guide, Use of this guide is at the installers risk.**